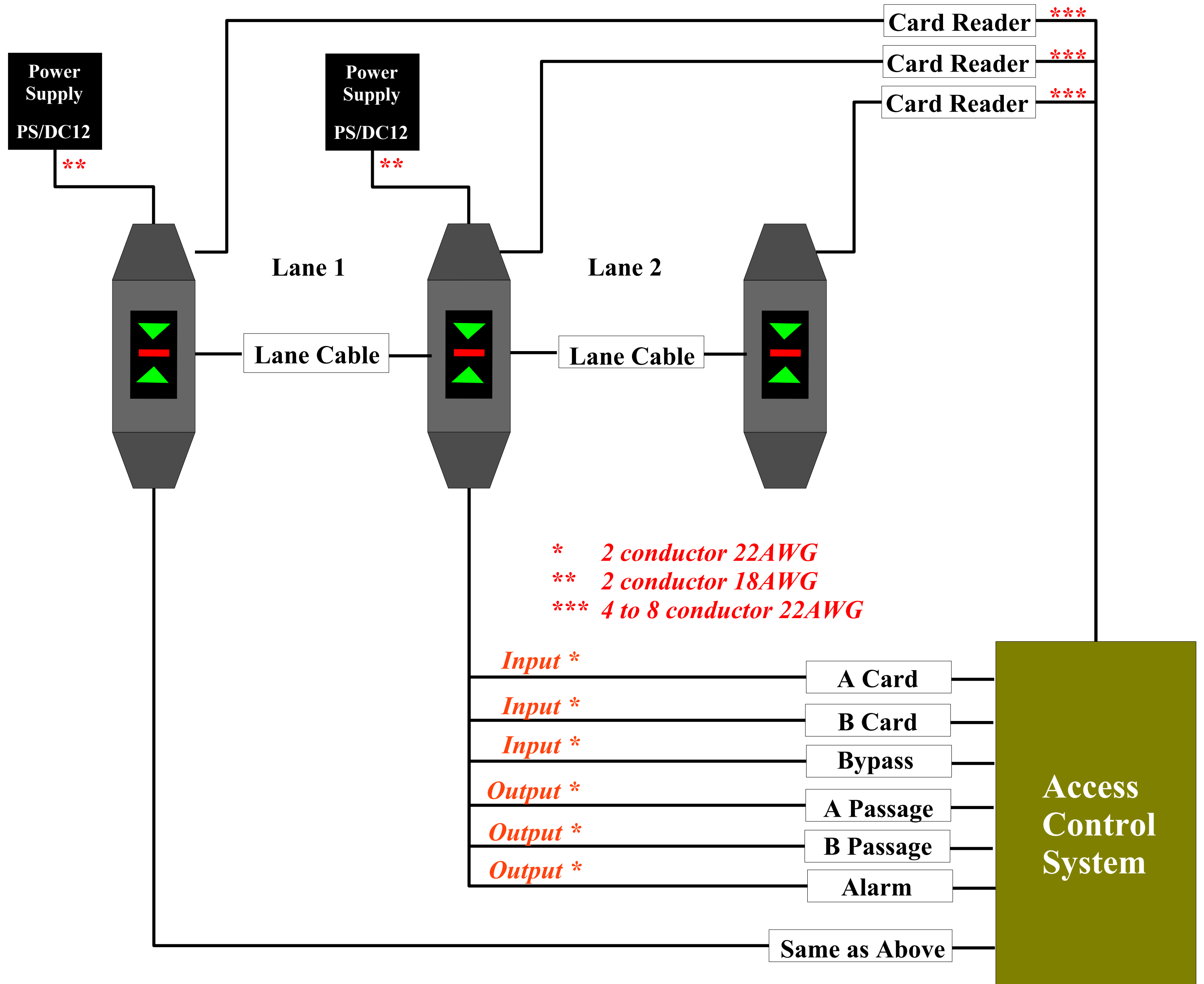
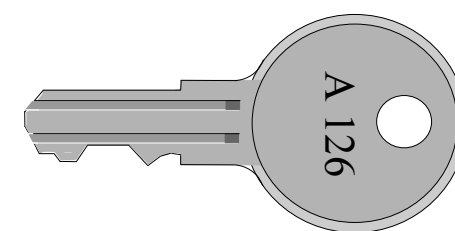


# ES8500 N-1 Wiring Diagram

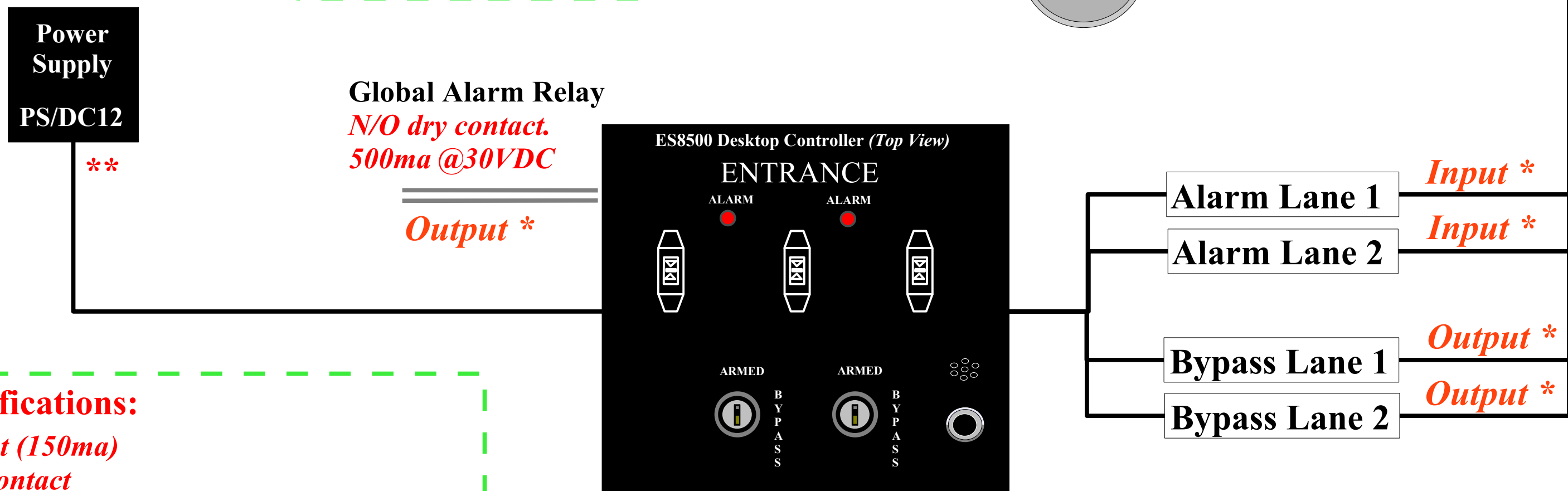


\* 2 conductor 22AWG  
\*\* 2 conductor 18AWG  
\*\*\* 4 to 8 conductor 22AWG

**Note:**  
Wire Gauge:  
22 AWG = Signal wires  
18 AWG = Power wires



K6 Key (Side View)



**Desktop Specifications:**  
Power: 12VDC at (150ma)  
Input: N/C dry contact  
Output: Key switch status. "Form C" dry contact  
Output: Global alarm relay. "N/O" dry contact  
Horn Volume: 70 db