

ES411

Door Prop Alarm

The ES411 Door Prop Alarm provides a unique solution to the common security problem of doors being propped or held open. Used as a stand-alone product or tied to any access control system, these devices encourage users to keep secured doors closed while reducing the number of false alarms for the security staff.



FEATURES & BENEFITS

- Aesthetically pleasing design
- Compatible with all access control systems
- Can be used as a stand-alone product
- Field selectable alarm delay
- 12-24 VAC/VDC operation
- Easy installation
- Encourages employees to maintain access control procedures
- Available with or without reset/bypass key switch
- 80dB alarm sounder
- Compact design; fits in a one or a two gang enclosure



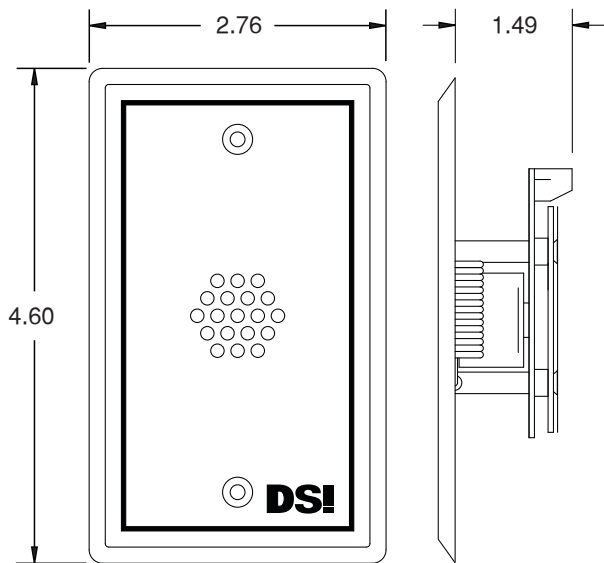
ES411-K1

ES411 Series

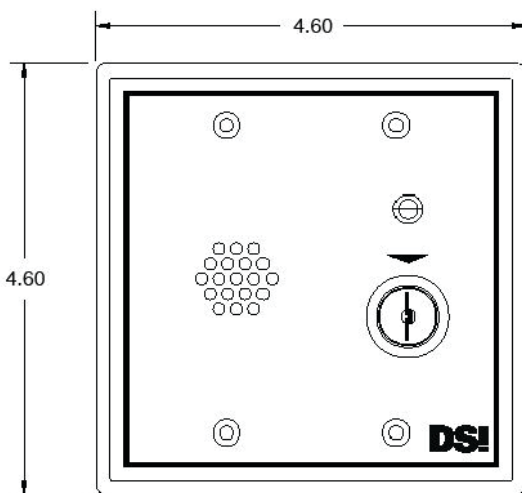
DSI[®]
DESIGNED SECURITY, INC.
A Detex Company

Designed Security, Inc.
302 Detex Drive
New Braunfels, TX 78130
800-272-3555
512-321-4426

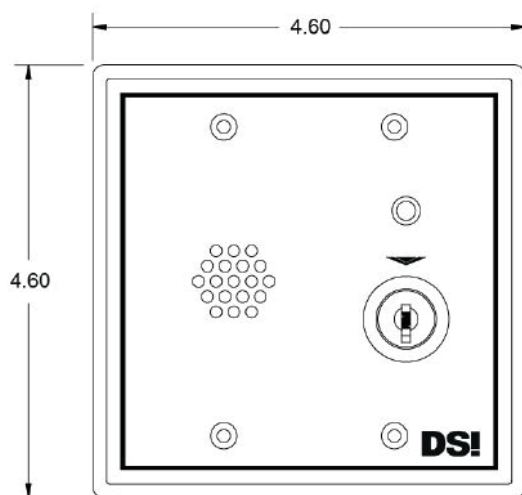
www.dsigo.com
dsi@dsigo.com



ES411-K0



ES411-K1



ES411-K6

PRODUCT DESCRIPTION

The ES411 Series Door Prop Alarm provides a unique solution for the common security problem of propped doors. These units are typically mounted near the monitored door. When the door has been held open longer than the preset time interval (adjustable from 0-60 seconds), the local audible alarm sounds to advise that the door should be closed. When the door is closed, the alarm is silenced and the timing circuit is automatically reset.

This unit also has an alarm status relay to enable remote monitoring of door alarms. The relay and audible alarm are activated after timed delay expires.

ELECTRICAL SPECIFICATIONS

Power:	12-24 VAC/VDC @ 100 mA
Local Control:	Key switch for unit Reset/Bypass
Control Input:	N/C door contact
Output Contact:	N/C, 500 mA @ 30 VDC
Delay Time:	Adjustable 0-60 seconds
Alarm:	80dB @ 3 ft

MECHANICAL SPECIFICATIONS

Dimensions	ES411-K0	2.76" w x 4.60" h x 1.49" d
	ES411-K1	4.60" w x 4.60" h x 1.49" d
	ES411-K2	4.60" w x 4.60" h x 1.49" d
	ES411-K3	4.60" w x 4.60" h x 2.30" d
	ES411-K4	4.60" w x 4.60" h x 2.30" d
	ES411-K5	4.60" w x 4.60" h x 1.49" d
	ES411-K6	4.60" w x 4.60" h x 1.49" d
	ES411-K7	4.60" w x 4.60" h x 2.30" d

Key Switch	K0 No key switch
Options	K1 Double bit
	K2 Barrel
	K3 Rim with cylinder
	K4 Rim without cylinder
	K5 Medeco
	K6 DPDT
	K7 Rim with small format interchangeable core cylinder (SFIC)

Finish: Painted - DSI Beige



Designed Security, Inc.
 302 Detex Drive
 New Braunfels, TX 78130
 800-272-3555
 512-321-4426

www.dsigo.com
dsi@dsigo.com